



BARBOSS® ADVANCE®

The Ultimate Blender For Every Beverage Program

Whether preparing blended drinks, simple syrups or purées for cocktail bases, the BarBoss Advance is an essential tool for adding or expanding a beverage program.

Smart Product Design

- 6 optimized programs and automatic shut-off means you can turn it on, walk away, and consistently blend beverages
- Pulse control quickly refreshes drinks for efficiency
- Advance® container creates faster, smoother pouring and has a longer blade life resulting in time and cost savings along with improved customer experience
- Advanced motor is designed to resist overheating when blending extra-thick ingredients resulting in cooler operation and enhanced reliability during peak hours of operation



Create signature drinks

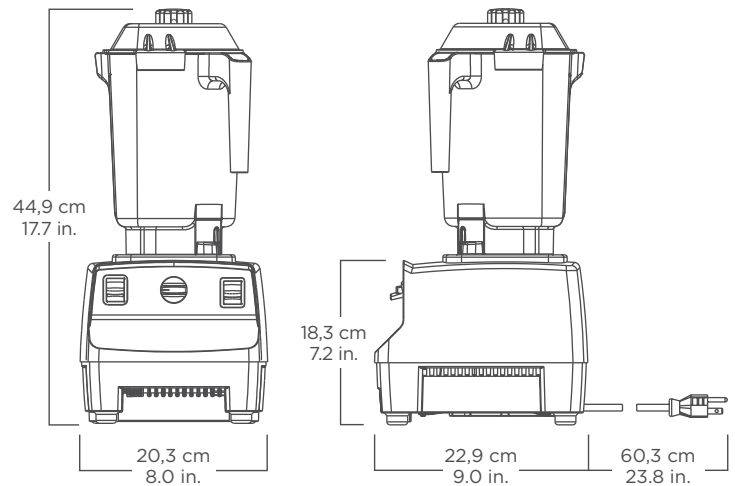
Product Specifications

BarBoss® Advance® Item No. 10197

Motor: ≈2 peak output horsepower motor
 Electrical: 220 - 240 V, 50/60 Hz, 750 - 850 W
 Pack: Includes BarBoss Advance with 0,9 L high-impact, clear/stackable Advance® container, complete with Advance blade assembly and lid, and red base.

Net Weight: 5,9 kg (6,3 kg with box)
 Dimensions: 44,9 x 20,3 x 22,9 cm (H x W x D)

Warranty: Please contact your authorized Vitamix distributor for warranty information.



Also Available

BarBoss Advance with Advance container
 Item No. 10193: 120 V (EMC), 50/60 Hz, 11,5 A
 Item No. 10195: 100 V, 50/60 Hz, 900 W

Additional containers, complete with blade assembly and lid.

Item No. 15981: Advance container 0,9 L
 Item No. 15506: standard container 1,4 L
 Item No. 15640: compact container 0,9 L

Item No. 15606: Software kit for customized programming.

For more information, please contact an authorized Vitamix distributor, or Vitamix international customer service.

Where applicable:



Contact Information

U.S.A., Canada & Latin America:
 Tel: 800.4DRINK4 or 440.235.0214
 E-mail: foodservice@vitamix.com

www.vitamix.com/foodservice

Vita-Mix Corporation
 8615 Usher Road
 Cleveland, OH 44138-2103 U.S.A.

Outside of U.S.A., Canada & Latin America:
 Tel: +1.440.782.2450
 E-mail: international@vitamix.com

For more information, contact your local foodservice distributor.