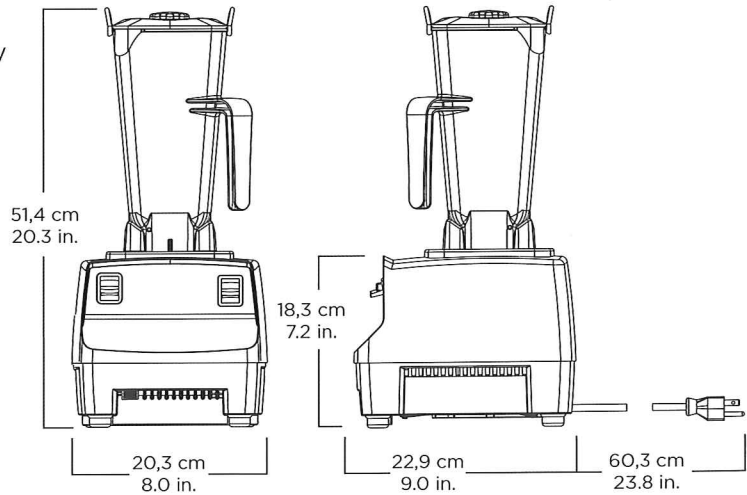


Product Specifications

Drink Machine Two-Speed Item No. 10011

Motor: ≈2 peak output horsepower motor
 Electrical: 220 - 240 V, 50/60 Hz, 1000 - 1200 W
 Pack: Includes Drink Machine Two-Speed with 1,4 L high-impact, clear/stackable container, complete with blade assembly and lid, and grey base.
 Net Weight: 5,5 kg (6,3 kg with box)
 Dimensions: 51,4 x 20,3 x 22,9 cm (H x W x D)

Warranty: Please contact your authorized Vitamix distributor for warranty information.



Also Available

Drink Machine Two-Speed with container
 Item No. 768: 220 - 240 V, 50/60 Hz, 1000 - 1200 W with 2,0 L high-impact, clear container
 Item No. 10150: 120 V (EMC), 50/60 Hz, 11,5 A
 Item No. 10095: 100 V, 50/60 Hz, 900 W

Additional containers, complete with blade assembly and lid.
 Item No. 756: container 2,0 L
 Item No. 15506: standard container 1,4 L
 Item No. 15640: compact container 0,9 L

For more information, please contact an authorized Vitamix distributor, or Vitamix international customer service.

Where applicable:



Contact Information

U.S.A., Canada & Latin America: www.vitamix.com/foodservice
 Tel: 800.4DRINK4 or 440.235.0214
 E-mail: foodservice@vitamix.com
 Vita-Mix Corporation
 8615 Usher Road
 Cleveland, OH 44138-2103 U.S.A.

Outside of U.S.A., Canada & Latin America:
 Tel: +1.440.782.2450
 E-mail: international@vitamix.com
 For more information, contact your local foodservice distributor.