

## ES Series 170 Ice Cube Machine

Model:  ES0172A-251Z



ES-170

- Up to 82 kgs. (180.62 lbs.) daily ice production
- 36 kgs. (79.40 lbs.) ice storage capacity
- Only 26.00" (66.00 cm) wide, 26.40" (67.00 cm) deep, and 38.60" (98.00 cm) high on 15.24 cm legs
- R-404A CFC-free refrigerant
- Front air intake and exhaust
- Stainless steel exterior with the fit and finish of an appliance
- Easy access door, slides up and out of the way
- Easy access air filter designed for longer operation in greasy and dusty environments
- Cleaning and sanitizing technology
- Storage bin liner is fabricated by rotational molding with polyethylene, no seamless and better insulation for ice storage
- CFC-free polyurethane foaming technology, better insulation for refrigeration efficiency
- Apply the system of control board plus float valve and ice thickness probe, improve the reliability and longevity of ice machine

### Warranty

- 1- Year parts and 1-year labor

### Ice Machine Electric

220-240/50/1 standard  
Power: 537W  
Total ampacity: 4.6 amps.  
Maximum fuse size: 15 amps.

### Specifications

**BTU Per Hour:**  
2,400 (average) 32,00 (peak)

**Compressor:**  
Nominal rating: 1/3 HP

### Operating Limits:

- Ambient Temperature Range: 10°C to 40°C  
Water Temperature Range: 10°C to 32°C
- Water Pressure Ice Maker  
Water In:  
Min. 140 kPa  
Max. 560 kPa

### Cube Size Available



**Dice**  
7/8" X 7/8" X 7/8"  
2.22 X 2.22 X 2.22 (cm)

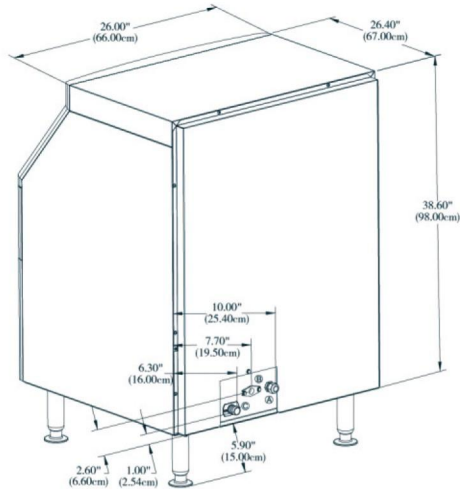


# KOOLAIRE

By  MANITOWOC

## ES Series 170 Ice Cube Machine

### ES-170



- (A) Electrical Entrance
- (B) 1/2" (1.27cm) NPT Ice Making Water Inlet
- (C) 7/8" (2.22cm) BARBED Ice Making Water Drain/Bin Drain

Installation Note - Minimum installation clearance:  
Top/sides/back: 12.7cm

### Space-Saving Designs ES-170



Height	38.60" 98.00 cm
Width	26.00" 66.00 cm
Depth	26.40" 67.00 cm
Bin Storage	79.40lbs. 36 kgs.

### 24 - Hour Production (kgs.)

Air-Cooled Units			
Air Temp	Water Temp		
°C	10°	21°	32°
10°	82		
21°	78		
32°	63		
40°	45		

Model	Ice Shape	Ice Production 24 Hours		Power Usage kWh/100 lbs. of ice	Water Usage /100 lbs. of ice
		lbs.	kgs.		
ES0172A-251Z	dice	139	63	10	107.8L

Test condition: 32°C Air/21°C Water

### Air Flow Front View



Air in left, air out right, no side vents.

### Air Filter



Slides out from left side front without tools, easy to clean, reusable filter protects condenser from grease and dust.

### Easy Access Door



Easy access door, slides up and out of the way.

Manitowoc (China) Foodservice Co.,Ltd.  
151 Jianye Road, Binjiang District  
Hangzhou, China 310052

Tel: 86.571.86626680  
Fax: 86.571.86622353

www.welbilt.cn

