

ES Series 60 Ice Cube Machine

Model: ES60A-251Z



ES-60

- Up to 31 kgs. (68.28 lbs.) daily ice production
- 14 kgs. (30.90 lbs.) ice storage capacity
- Only 19.69" (50.00 cm) wide, 22.34" (56.74 cm) deep and 31.10" (79 cm) high
- R-134A CFC-free refrigerant
- Front air intake and exhaust
- Stainless steel exterior with the fit and finish of an appliance
- Easy access door, slides up and out of the way
- Easy access air filter designed for longer operation in greasy and dusty environments
- cleaning and sanitizing technology
- Storage bin liner is fabricated by rotational molding with polyethylene, no seamless and better insulation for ice storage
- CFC-free polyurethane foaming technology, better insulation for refrigeration efficiency
- Apply computerized control board, shorten freezing time, save water and power consumption and improve the reliability of the ice machine
- **Warranty**
1- Year parts and 1-year labor

Ice Machine Electric

220-240/50/1 standard
Power: 450W
Total ampacity: 3.8 amps.
Maximum fuse size: 15 amps.

Specifications

BTU Per Hour:
1,600 (average) 23,50 (peak)

Compressor:
Nominal rating: 1/3 HP

Operating Limits:

- Ambient Temperature Range: 10°C to 40°C
- Water Temperature Range: 10°C to 32°C
- Water Pressure Ice Maker
Water In:
Min. 240 kPa
Max. 620 kPa

Cube Size Available



Dice
7/8" X 7/8" X 7/8"
2.22 X 2.22 X 2.22 (cm)

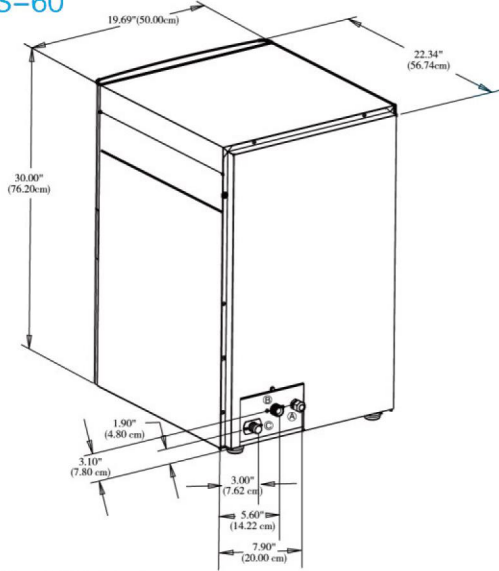


KOOLAIRE

By  MANITOWOC

ES Series 60 Ice Cube Machine

ES-60



- Ⓐ Electrical Entrance
- Ⓑ 3/4" GAS Ice Making Water Inlet
- Ⓒ 7/8" (2.22cm) BARBED Ice Making Water Drain/Bin Drain

Installation Note - Minimum installation clearance:
Top/sides/back: 12.7cm

Space-Saving Designs ES-60



Height	31.10" 79.00 cm
Width	19.70" 50.00 cm
Depth	22.40" 57.00 cm
Bin Storage	30.90 lbs. 14 kgs.

24 - Hour Production (kgs.)

Air-Cooled Units			
Air Temp	Water Temp		
°C	10°	21°	32°
10°	31		
21°	28		
32°		24	
40°			17

Model	Ice Shape	Ice Production 24 Hours		Power Usage kWh/100 lbs. of ice	Water Usage /100 lbs. of ice
		lbs.	kgs.		
ES60A-251Z	dice	53	24	17.3	131.5L

Test condition: 32°C Air/21°C Water

Air Flow Front View



Air in left, air out right, no side vents.

Air Filter



Slides out from left side front without tools, easy to clean, reusable filter protects condenser from grease and dust.

Easy Access Door



Easy access door, slides up and out of the way.

Manitowoc (China) Foodservice Co.,Ltd.
151 Jianye Road, Binjiang District
Hangzhou, China 310052

Tel: 86.571.86626680
Fax: 86.571.86622353

www.welbilt.cn

