



T&S BRASS AND BRONZE WORKS, INC.
 2 Saddleback Cove / P.O. Box 1088
 Travelers Rest, SC 29690

Model No.
EX-1DP00-H

Item No.

Travelers Rest, SC: 800-476-4103 • Simi Valley, CA: 800-423-0150 • Fax: 864-834-3518 • www.tsbrass.com

This Space for Architect/Engineer Approval

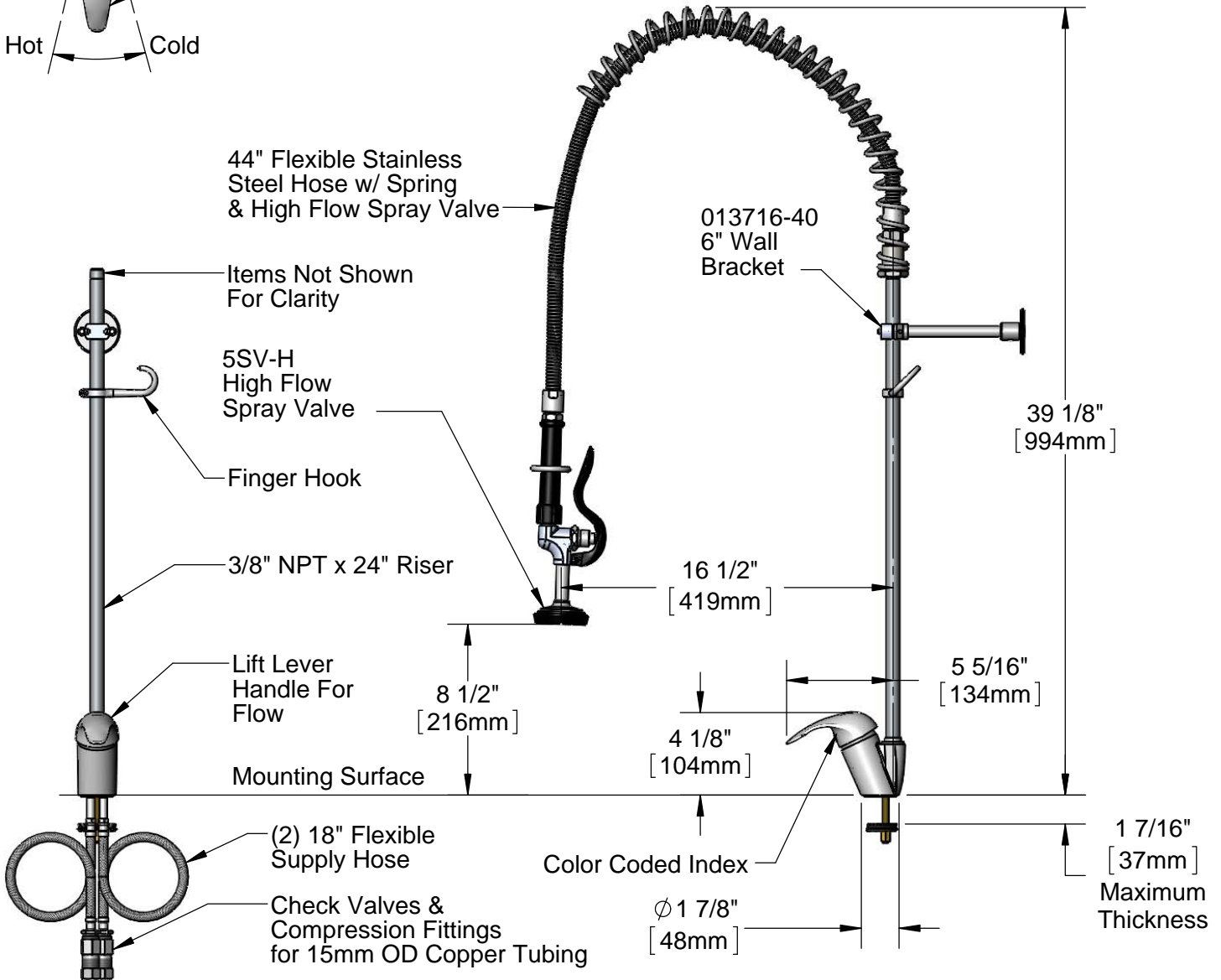
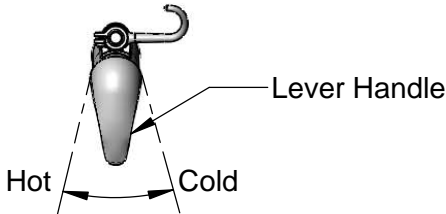
Job Name _____ Date _____

Model Specified _____ Quantity _____

Customer/Wholesaler _____

Contractor _____

Architect/Engineer _____



Rough-in Requirement:
 ϕ 1 1/2" [38mm] Mounting Hole

Product Specifications:
 Pre-Rinse Unit: Single Lever Deck Mount Faucet, 24" Riser, 44" Flexible Stainless Steel Hose, High Flow Spray Valve, 6" Wall Bracket & 18" Flexible Supply Hoses w/ Check Valves

Drawn DHL	Checked DMH	Approved JHB
Scale: 1:8		Date: 01/06/16

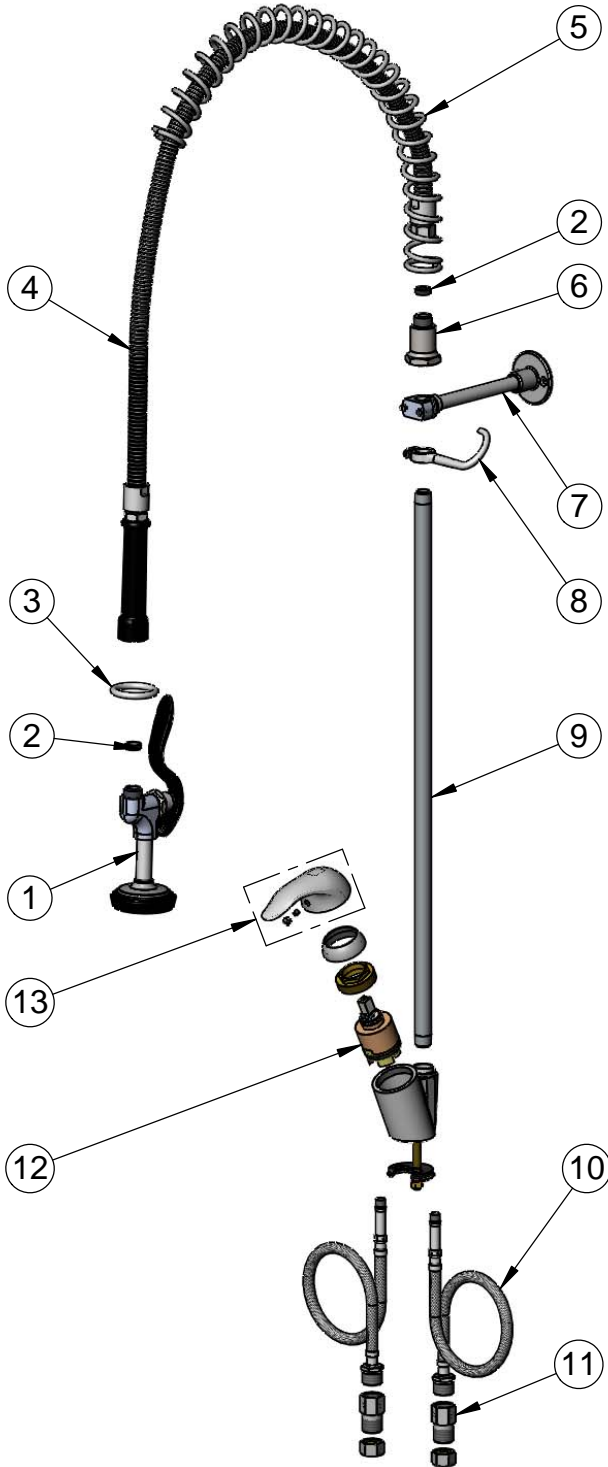


T&S BRASS AND BRONZE WORKS, INC.
 2 Saddleback Cove / P.O. Box 1088
 Travelers Rest, SC 29690

Model No.
EX-1DP00-H

Item No.

Travelers Rest, SC: 800-476-4103 • Simi Valley, CA: 800-423-0150 • Fax: 864-834-3518 • www.tsbrass.com



ITEM NO.	SALES NO.	DESCRIPTION
1	5SV-H	equip High Flow Spray valve
2	010476-45	#27 Washer
3	000907-45	Spray Valve Hold Down Ring
4	5HSE44	equip 44" Flexible Stainless Steel Hose
5	014068-45	Overhead Spring
6	000821-40	Spring Body
7	013716-40	6" Wall Bracket
8	004R	Finger Hook
9	000372-40	Riser, 3/8" NPT x 24"
10	012436-45	15mm Flexible Connector Hose (2)
11	016047-25	Check Valve, 1/2" NPSM MxF
12	019215-45	40mm S/L Ceramic Cartridge (Tall)
13	019313-45	Single Lever Handle, EX-1DP00-H

Product Specifications:

Pre-Rinse Unit: Single Lever Deck Mount Faucet, 24" Riser, 44" Flexible Stainless Steel Hose, High Flow Spray Valve, 6" Wall Bracket & 18" Flexible Supply Hoses w/ Check Valves

Drawn DHL	Checked DMH	Approved JHB
Scale: NTS		Date: 01/06/16