



T&S BRASS AND BRONZE WORKS, INC.

2 Saddleback Cove / P.O. Box 1088
Travelers Rest, SC 29690

Model No.

EX-6WP12-H

Item No.

Travelers Rest, SC: 800-476-4103 • Simi Valley, CA: 800-423-0150 • Fax: 864-834-3518 • www.tsbrass.com

This Space for Architect/Engineer Approval

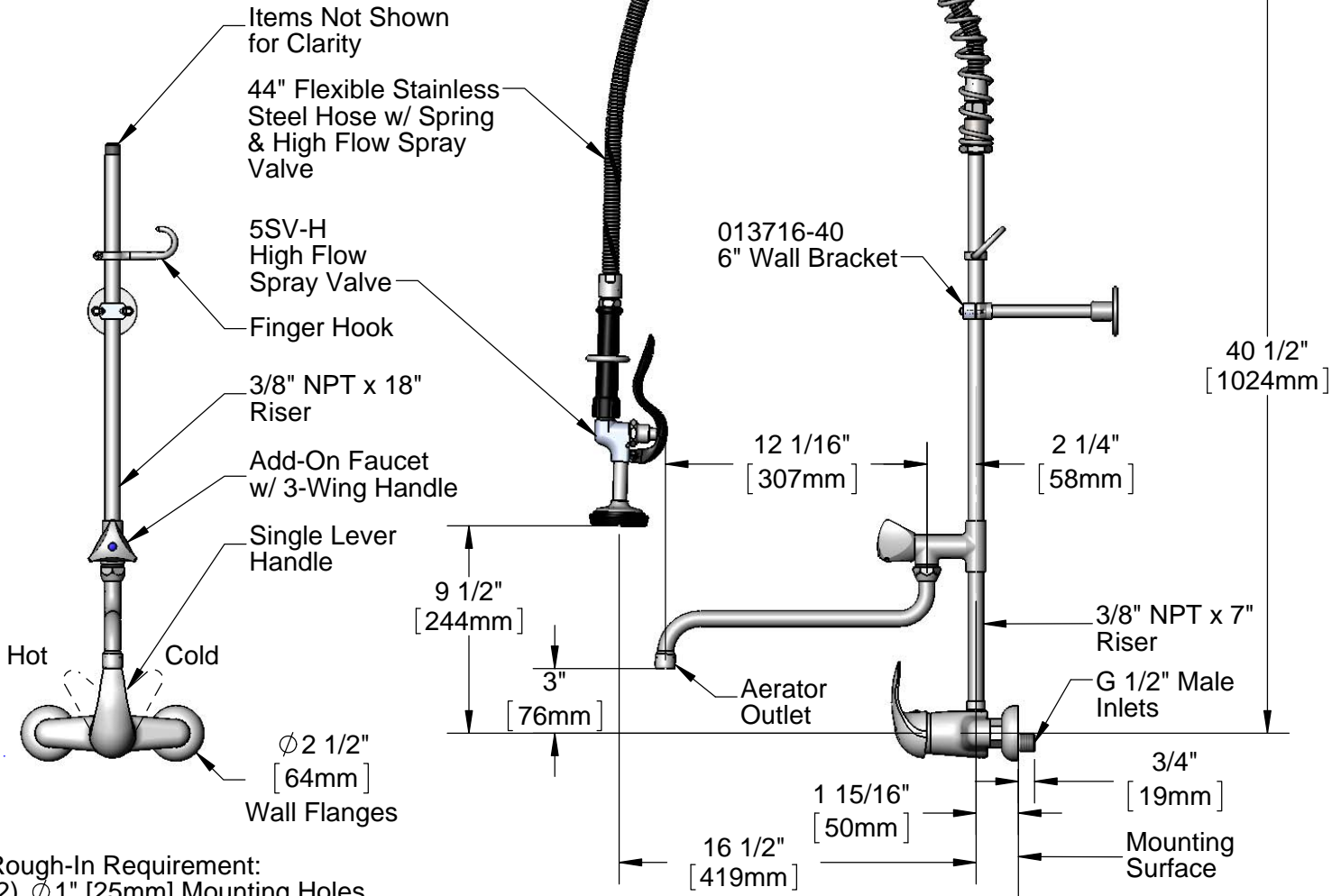
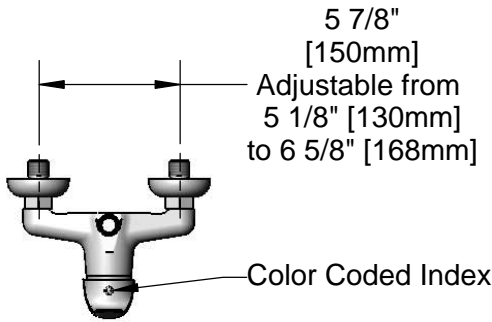
Job Name _____ Date _____

Model Specified _____ Quantity _____

Customer/Wholesaler _____

Contractor _____

Architect/Engineer _____



Rough-In Requirement:
(2) Ø 1" [25mm] Mounting Holes

Product Specifications:
Pre-Rinse Unit: Single Lever Wall Mount Base Faucet, Add-On Faucet, 12" Swing Nozzle w/ Full Flow Aerator, 18" Riser, 44" Flexible Stainless Steel Hose, High Flow Spray Valve & 6" Wall Bracket

Drawn DHL	Checked JRM	Approved JHB
Scale: 1:4		Date: 01/06/16

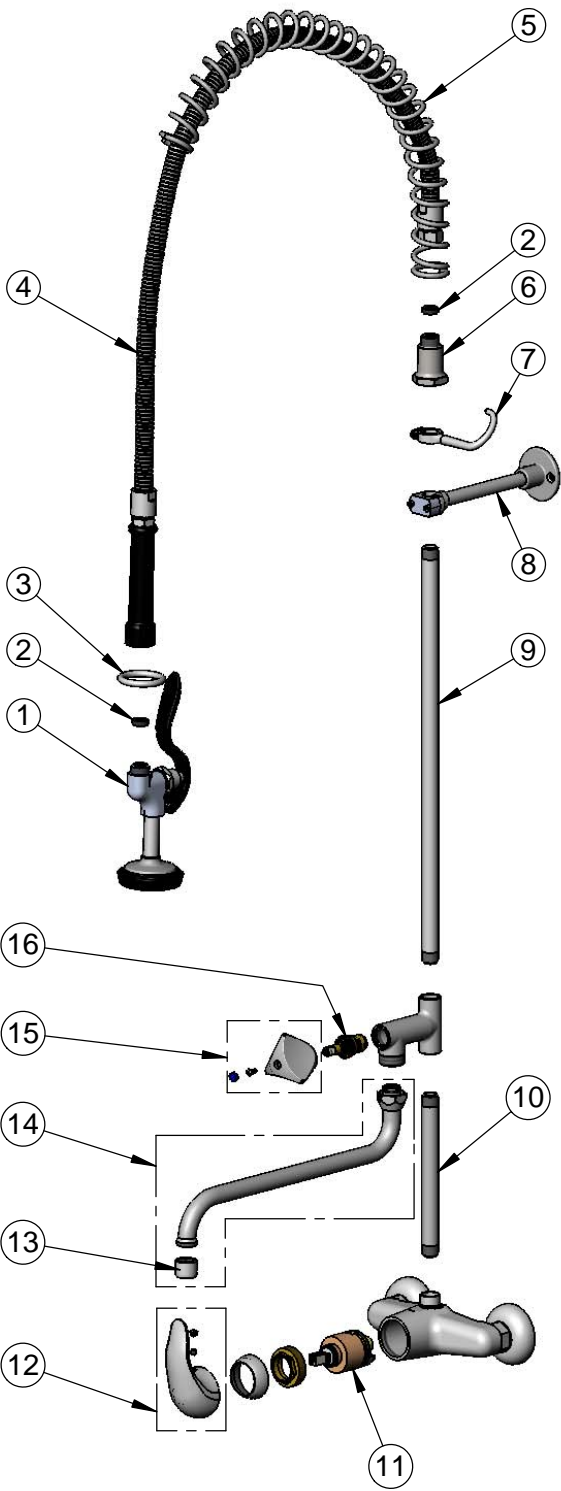


T&S BRASS AND BRONZE WORKS, INC.
 2 Saddleback Cove / P.O. Box 1088
 Travelers Rest, SC 29690

Model No.
EX-6WP12-H

Item No.

Travelers Rest, SC: 800-476-4103 • Simi Valley, CA: 800-423-0150 • Fax: 864-834-3518 • www.tsbrass.com



ITEM NO.	SALES NO.	DESCRIPTION
1	5SV-H	equip High Flow Spray Valve
2	010476-45	#27 Washer
3	000907-45	Spray Valve Hold Down Ring
4	5HSE44	equip 44" Flexible Stainless Steel Hose
5	014068-45	Overhead Spring
6	000821-40	Spring Body
7	004R	Finger Hook
8	013716-40	6" Wall Bracket
9	000369-40	3/8" NPT x 18" Riser
10	000363-40	3/8" NPT x 7" Nipple
11	019215-45	40mm S/L Ceramic Cartridge (Tall)
12	019313-45	Single Lever Handle, Less Logo
13	EU-0199-M22-FFA	Full Flow Aerator, M22 x 1 Female
14	017825-45	12" Swing Nozzle
15	019251-45	3 Wing Handle w/ Color Coded Indexes and Screw
16	019254-45	Cold RTC Ceramic Cartridge

Product Specifications:

Pre-Rinse Unit: Single Lever Wall Mount Base Faucet, Add-On Faucet, 12" Swing Nozzle w/ Full Flow Aerator, 18" Riser, 44" Flexible Stainless Steel Hose, High Flow Spray Valve & 6" Wall Bracket

Drawn DHL	Checked JRM	Approved JHB
Scale: NTS		Date: 01/06/16